

THE ONE IAQ SOLUTION FOR YOUR HOME!

The APCO-ONE system is designed to improve air quality and HVAC equipment performance and efficiency. Everything you expect from APCO®, now with a polycarbonate housing and lamp status indicator. 24V with included 120V transformer.







FEATURES/BENEFITS

Continuously improves Indoor Air Quality	Continuously treats the air in the entire home and is virtually maintenance free (2-year UVC lamp replacement only)
Keeps coil & drain pan clean	Long lasting, safe and effective
Increases HVAC life & efficiency	For up-flow, down-flow & horizontal installations
UL2998 validated for zero ozone	Scientifically tested ensuring safety
Continuously treats the whole-system	Disinfects HVAC equipment (which is prone to mold and biofilm). Microbial contamination robs system efficiency and performance and contributes to poor IAQ
Advanced UVC lamp	2-year advanced encapsulated quartz UVC lamp
LED Lamp-life status indicator	Indicates when to replace lamp
EverCarbon™ Cells	Lifetime proprietary carbon catalyst
24VAC operation	Packard transformer included

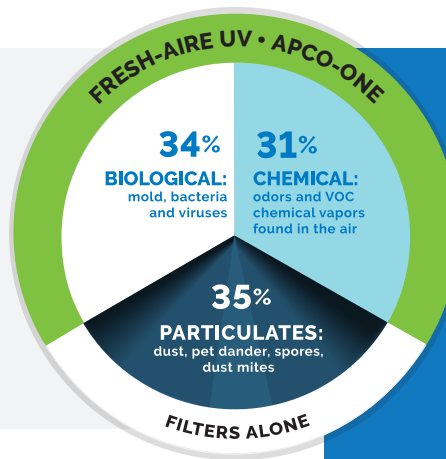
LED STATUS INDICATOR



-  **SOLID BLUE = NORMAL OPERATION**
-  **FLASHING BLUE = REPLACE UV LAMP**
-  **FLASHING RED = UV LAMP EXPIRED**
-  **SOLID RED = UV LAMP FAILURE**

SAFELY AND EFFECTIVELY TREAT THE OTHER 2/3RDS

Conventional filters are only effective against particulates, like dust. APCO-ONE is proven to safely reduce both biological and chemical contaminants inside the air system and throughout the building. Together, they address 99+% of the contaminants in the air.

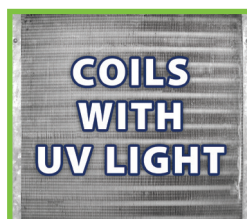
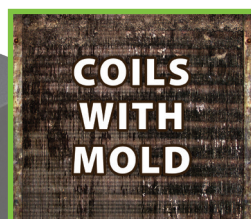


CLEAN AIR



CLEANS THE COIL AND DRAIN PAN

Helps keep the HVAC system running efficiently and extend its life.

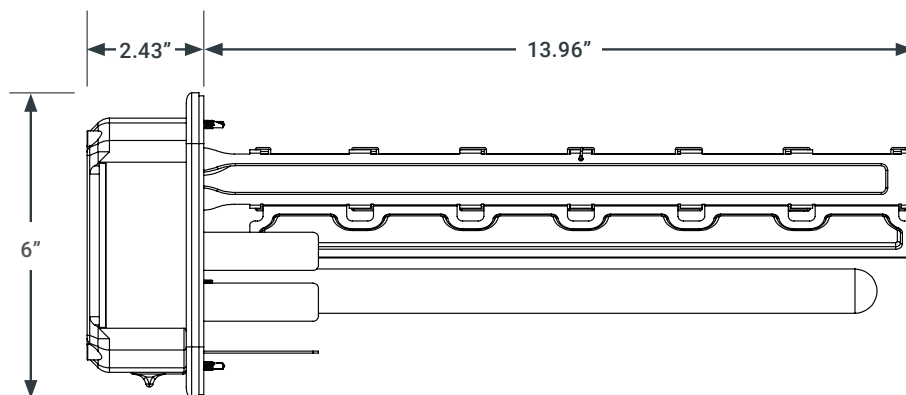
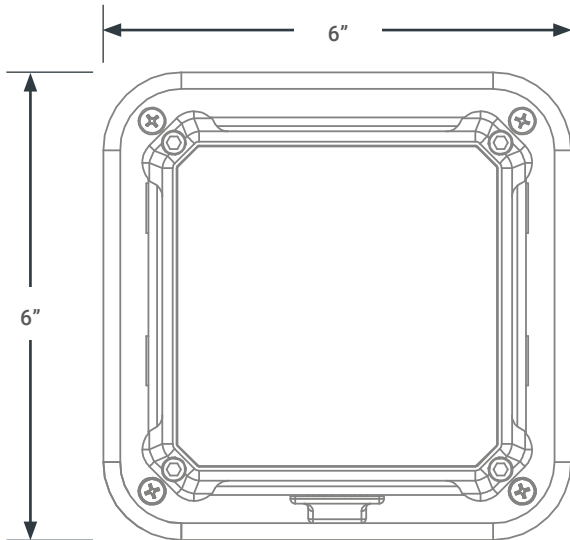


APCO-ONE Helps Neutralize Mold, Bacteria, Viruses, and Allergens

APCO-ONE Specs		
UV Lamp	254 nm UVC, quartz hot filament	
Dimensions	Cell & Lamp: 3.3"W x 3.3"H x 14"D Enclosure: 6"L x 6"W x 2.43"D	
Electrical	TUV-APCO-ONE: 24V, 0.80A, 19.2 WATTS	
Transformer	Packard Transformer 120/208/240VAC Primary to 24VAC 40VA Secondary. For further instructions refer to transformer instruction sheet.	
Pressure Drop	<0.01" w.c. @ 400 FPM	
Warranty	Lifetime for all parts except lamp	
Part Numbers		
Model	Electrical	Replacement Lamp
TUV-APCO-ONE	18-32 VAC	TUVL-215



APCO-ONE
Furnace
application



We are committed to developing and validating our products. APCO product testing achieved incredible results:

98.85%	99.03%	78.8%	99.9%
Bacteria (S.epideridis)*	Viruses (MS2 coliphage)*	Mold (A.niger)*	Odors (VOCs)*

* % Reduction of common indoor air contaminants over 4 hours. Tested at airflow velocity of 492-fpm (0.93m3/sec)



* See manual for details



DESIGNED & ASSEMBLED IN THE U.S.A.